

ASSEMBLY INSTRUCTIONS

BASE CABINET

Part	Description	Qty	Part	Description	Qty	Part	Description	Qty
A	Face-frame with door	1	E	Bottom Panel	1	I,J,K,L,H	Drawer Parts	1
B	Side Panel	2	F	Back Panel	1	M	Screw	4
C	Toe-kick	1	G	Drawer Glide With Screw	1	O	Shelf	1
D	Round Head Screw	12	P	Corner Brace With Screw	4	N	Shelf Support Clip	4

This instruction applies to the following items: **B09-B42.**

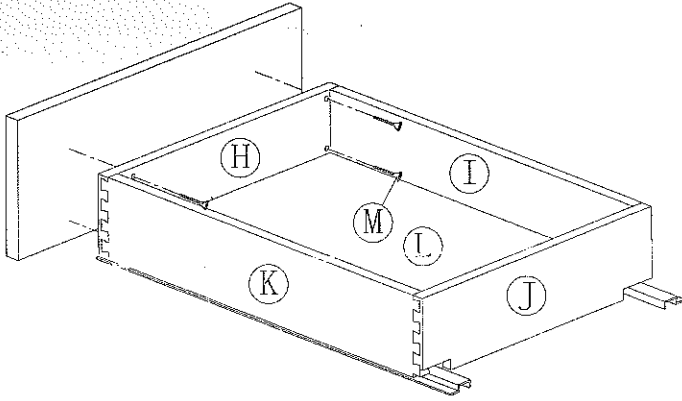


Figure1

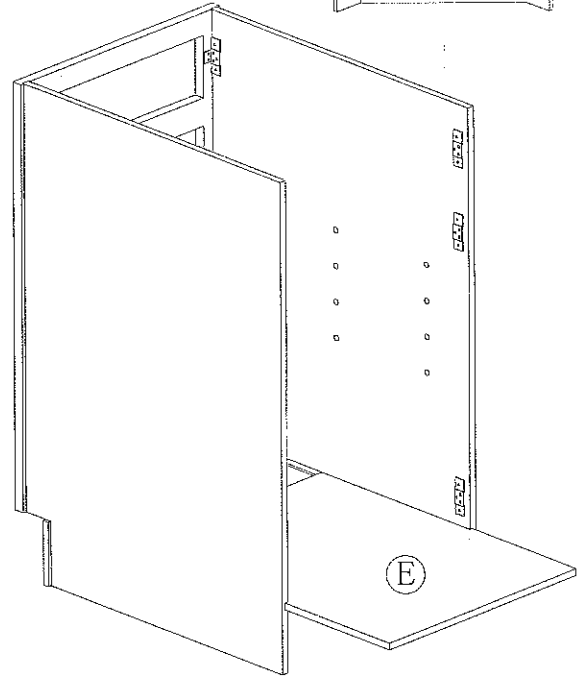
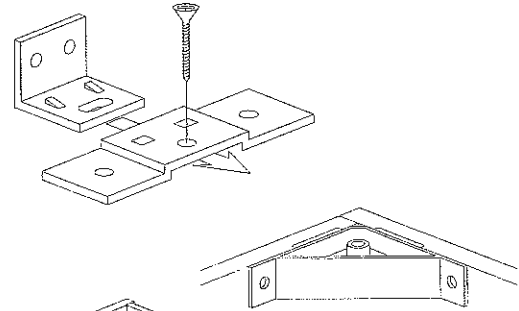


Figure3

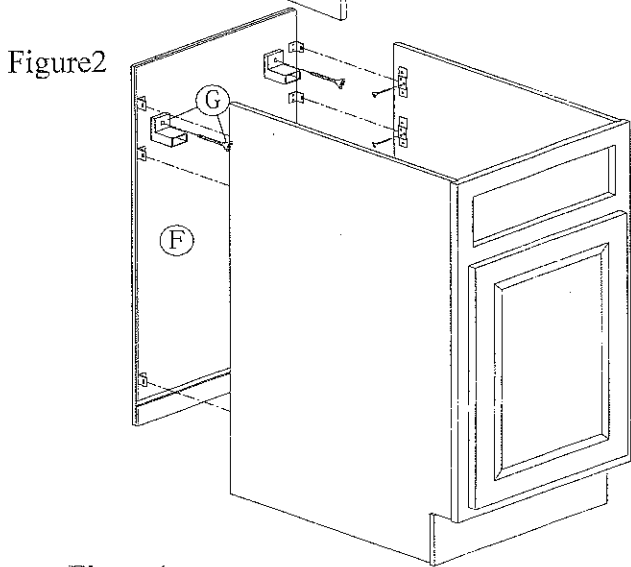


Figure4

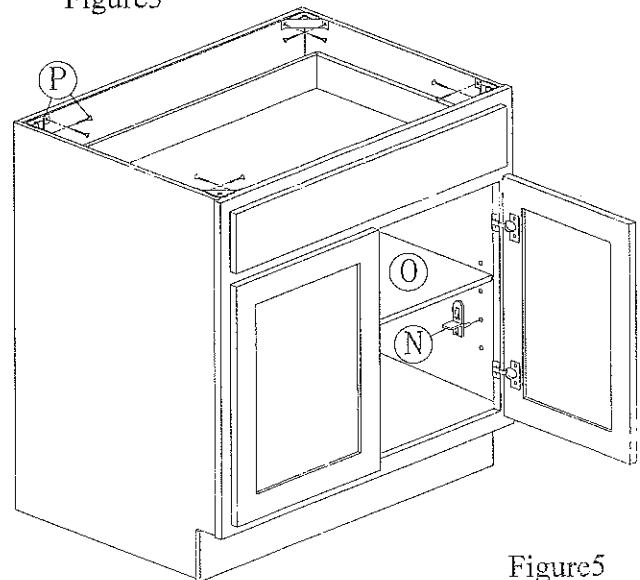


Figure5

MADE IN CHINA